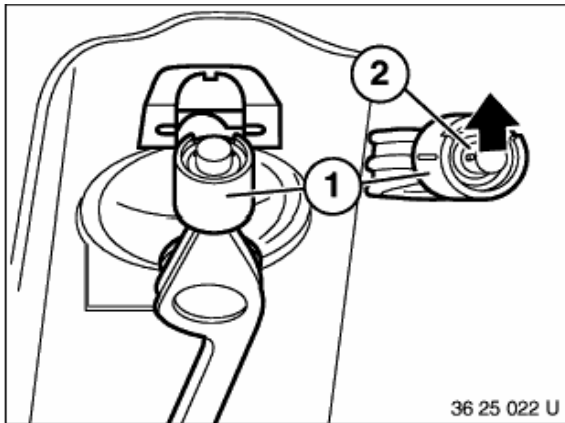


Remove propeller shaft from transmissions,  
refer to 26 11 000.

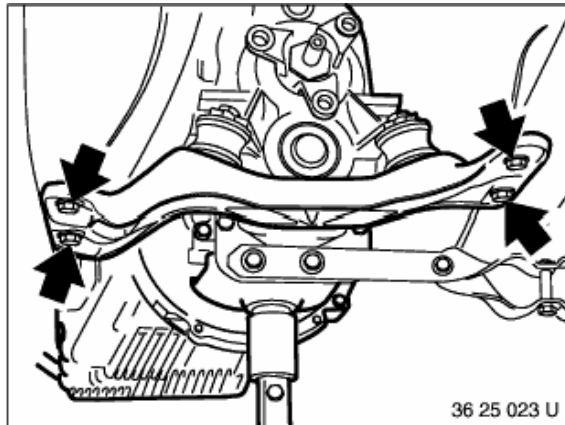
Remove shift lever,  
refer to 25 11 000.

Using a mandrel, release thrust bearing (1) from bracket.



#### Installation:

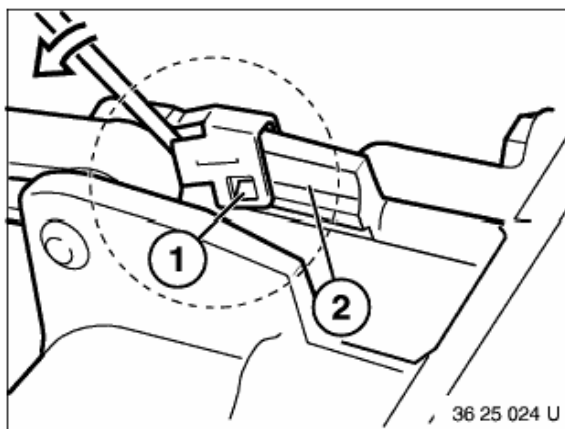
Clip mount (1) in holder with arrow (2) facing up.



Support transmission from underneath.

Unscrew cross member from body.

Lower transmission.

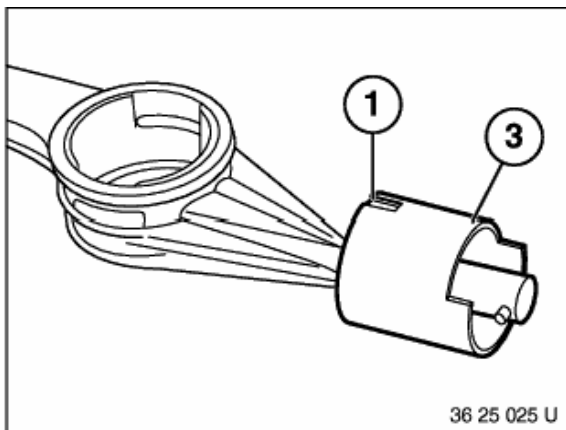


Lift spring (1) off tab (2) on case using a screwdriver and swing upwards.

Pull out shaft.

#### Installation:

Insert shaft pin with Klüber Polylub GLY 801 (refer to BMW Parts Service).



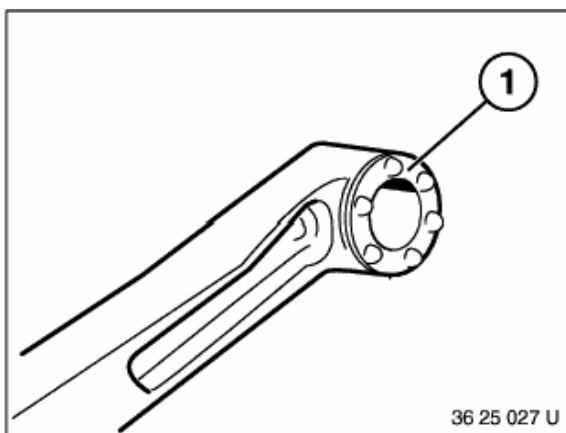
Remove shift arm.

Pull off mount (1).

**Installation:**

Position mount with opening (3) facing rear of vehicle.

Coat mount with Klüber Polylub GLY 801 (refer to BMW Parts Service).



When replacing bearing sleeve:

Press out bearing sleeve.

Coat new bearing bush with Circolight and press into place.

Circolight,

see BMW Parts Service.